

control terminal

arenaM

entry control system for stadiums

tritonsystems.eu

New model series
of sophisticated terminals
for stadium and leisure center
entry control



Reliable and modular

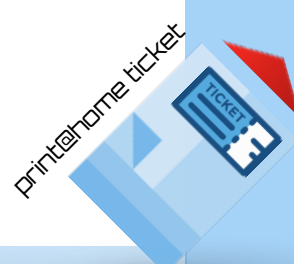
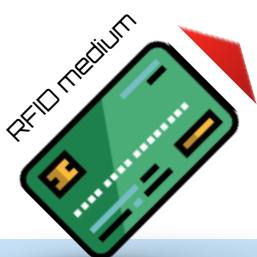
- ✓ Vandal resistant stainless steel cabinet for horizontal or recessed horizontal or vertical indoor / outdoor installation
- ✓ Uni-directional or bi-directional terminal
- ✓ Turnstile and adjacent gate control thanks to modular configuration construction of the terminal display panel designed for different identification media and individual user requirements

User friendly

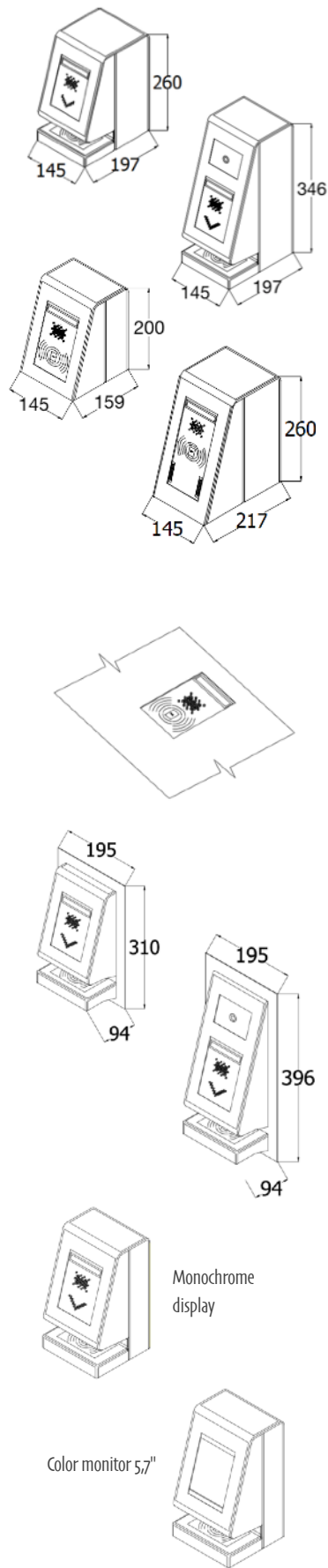
- ✓ One backlit slot for all ISO or ISO-like barcode and QR code tickets
- ✓ Frontal RFID reader and barcode scanner installation for wrist identification media reading
- ✓ Multidirectional barcode reading without ticket size limitations
- ✓ Monochrome display and color monitor for transaction alerts or club logo and animation presentations
- ✓ LED pictograms and indications visible also in direct sunlight
- ✓ Automatic LED pictogram and color monitor brightness control

Arena Access Software

- ✓ Linux operating system
- ✓ State-of-the-art technology
- Allows via internet or mobile:
- ✓ Remote status control of connected devices
- ✓ Remote parameter optimization



Standard and optional configuration



- Monochrome alphanumeric LCD display 2x20 characters or**

 - Monochrome graphic LCD display 190x32 dots
 - Color TFT-LCD monitor VGA 5.7", sun-readable
- RFID reader / writer of Mifare Standard or**

 - RFID reader / writer - Legic technology
 - RFID reader / writer - other technologies 13.56MHz, NFC
 - RFID reader / writer - technology 125kHz and 134.2kHz
- Omni-directional 1D and 2D ticket and smartphone barcode scanner**
- Three - color LED pictograms in the shape of arrows and crosses or**

 - Five-color LED indication of discount tickets and permanent passes, indication of a risk person found by the FRS (Face Recognition System)
 - Automatic LED pictogram and indication brightness control
- Acoustic indication**

 - Acoustic indication of discount tickets
- Integrated 64-bit microPC control unit**

 - Additional display-control panel for the operator
 - Additional operator control panel equipped with barcode scanner and RFID reader (for high turnstiles)
 - Camera for visitor - ticket pairing with FRS preparation
 - Additional terminal with optional lighting, manual or automatic brightness control
 - Stainless steel cover protecting the terminal against street vandalism (for high turnstile terminal)

Technical specifications

Dimensions: according to terminal type
Weight: approx. 5 - 8 kg
Material / cabinet /: vandalism resistant abrasive stainless steel, 1.5 mm thickness
Power supply: 5V dc / 1 to 4A, 12V dc / 3 to 6A *
Cover: IP43, IP54 – IP65 for terminals without slots
Operating temperature*: -10° C to +45° C (optionally +55°C)
Monitor Specifications: LCD 2x20 characters, color sun-readable TFT-LCD monitor 5,7"

Supported identification technologies: 13.56 MHz - MIFARE® Standard, LEGIC RF Standard: Legic Prime. 125/134 kHz - ISO 18000-2: Hitag 1. For other technologies, contact the supplier
Interface Specifications: Ethernet (10/100 Mbps), 8x RS232C, 4x USB 2.0, external I / O (6-12x galvanically isolated inputs, 8-14 OC outputs (500mA, 30V) 1A, 60Vdc)
Certifications: CE

* Depending on the configuration - more info upon request

